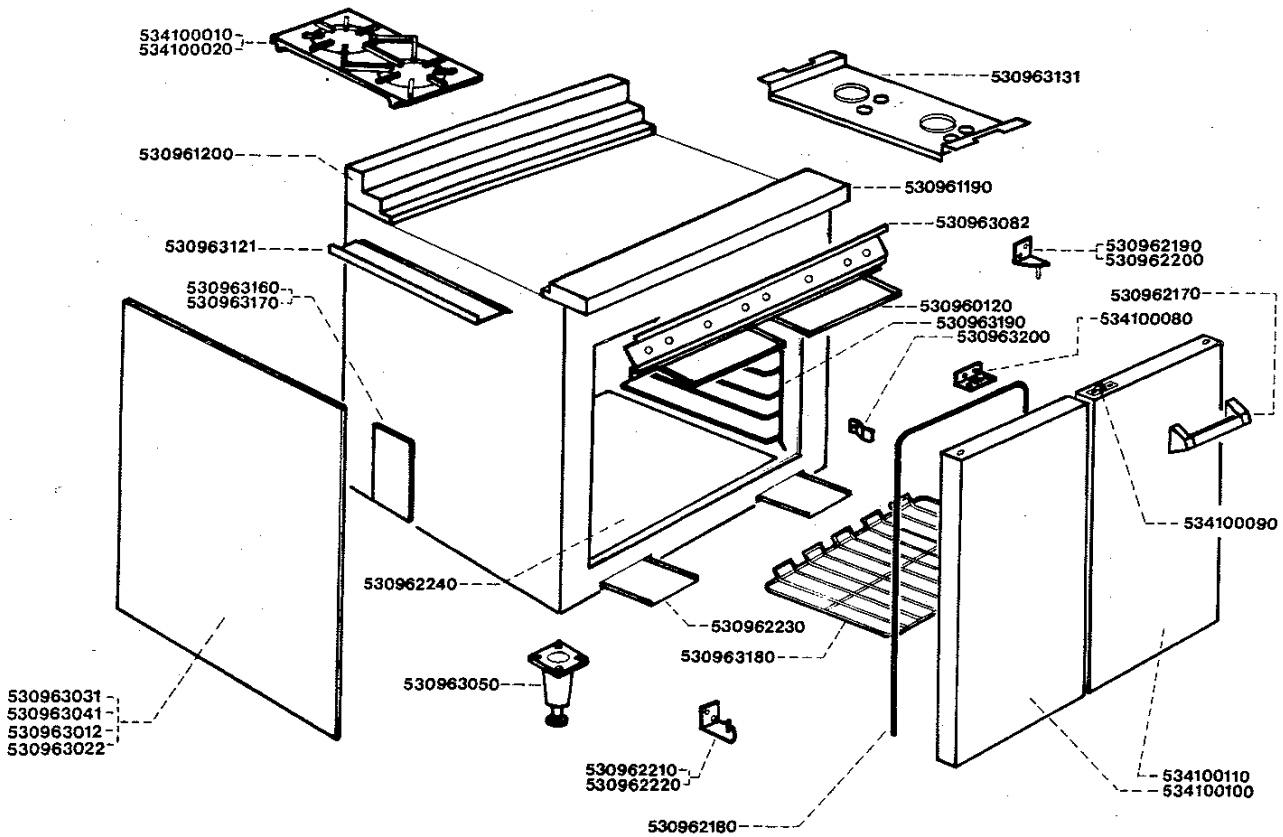


G1107 DOMINATOR MKII SERIES

Open Top



Code	No.	Description
1F	530960121	Top Drip Trays
1F	530961190	Front Hob Rail
7F	530961200	Rear Hob Rail
2B	530962170	Door Handle c/w Gaskets
530962183		Door Seal
5C	530962190	Hinge — Top Left Hand
5C	530962200	Hinge — Top Right Hand
5C	530962210	Hinge — Bottom Left Hand
5C	530962220	Hinge — Bottom Right Hand
3E	530962230	Oven Drip Tray
11F	530962240	Oven Bottom Plate
5G	530963012	Outer Side — Left Hand; S/S
5G	530963022	Outer Side — Right Hand; S/S
1F	530963031	Outer Side — Left Hand; Black
1F	530963041	Outer Side — Right Hand; Black
9B	530963050	Leg c/w Adjustable Foot
537101290		HINGE BUSH.

Code	No.	Description
4D	530963082	Control Panel
10C	530963121	Side Drop Shed
9D	530963131	Spillage Deflector — Right Hand
9D	530963141	Spillage Deflector — Left Hand
9D	530963150	Spillage Deflector — Centre
12C	530963160	Cheek — Left Hand
12C	530963170	Cheek — Right Hand
1E	530963180	Oven Grid Shelf
10C	530963190	Oven Shelf Hanger
6A	530963200	Oven Hanger Bracket
8F	534100010	Pan Support — End
8F	534100020	Pan Support — Centre
1B	534100080	Door Catch Keeper
2C	534100090	Door Catch
12K	534100100	Door Assembly — Left Hand
8K	534100110	Door Assembly — Right Hand
*	530960160	BURNER SUPPORT BAR.
		NOT SHOWN.

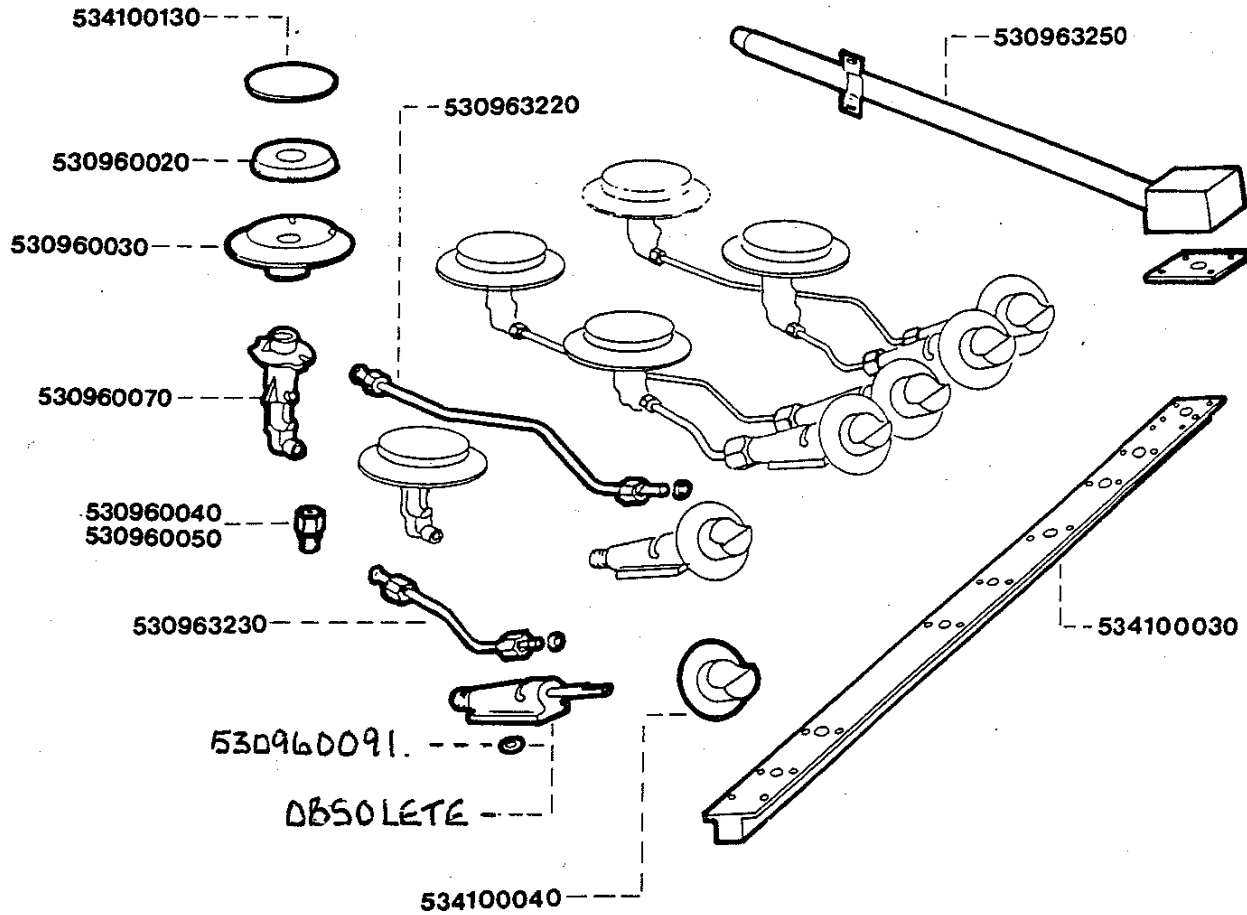
Sheet Reference Number

G1107/0288/001

**Falcon Catering
Equipment**
Commercial and institutional
catering equipment



Falcon Catering Equipment is a
business name of
Glynwed Consumer & Building Products Ltd
a member of the
Glynwed International plc
group of companies



Code	No.	Description
10C	530960020	Burner Ring
6C	530960030	Burner Support
1B	530960040	Injector — Nat. Gas
1B	530960050	Injector — L.P. Gas
2C	530960070	Burner Venturi
6C	530960090	Control Cock c/w Gasket
9C	530963220	Rear Burner Pipe c/w Nut
8C	530963230	Front Burner Pipe c/w Nut
10D	530963250	Inlet Pipe Assembly c/w Gasket
*	534100030	Float Rail
6B	534100040	Control Knob
5C	534100130	Burner Cap

Sheet Reference Number

G1107/0288/002

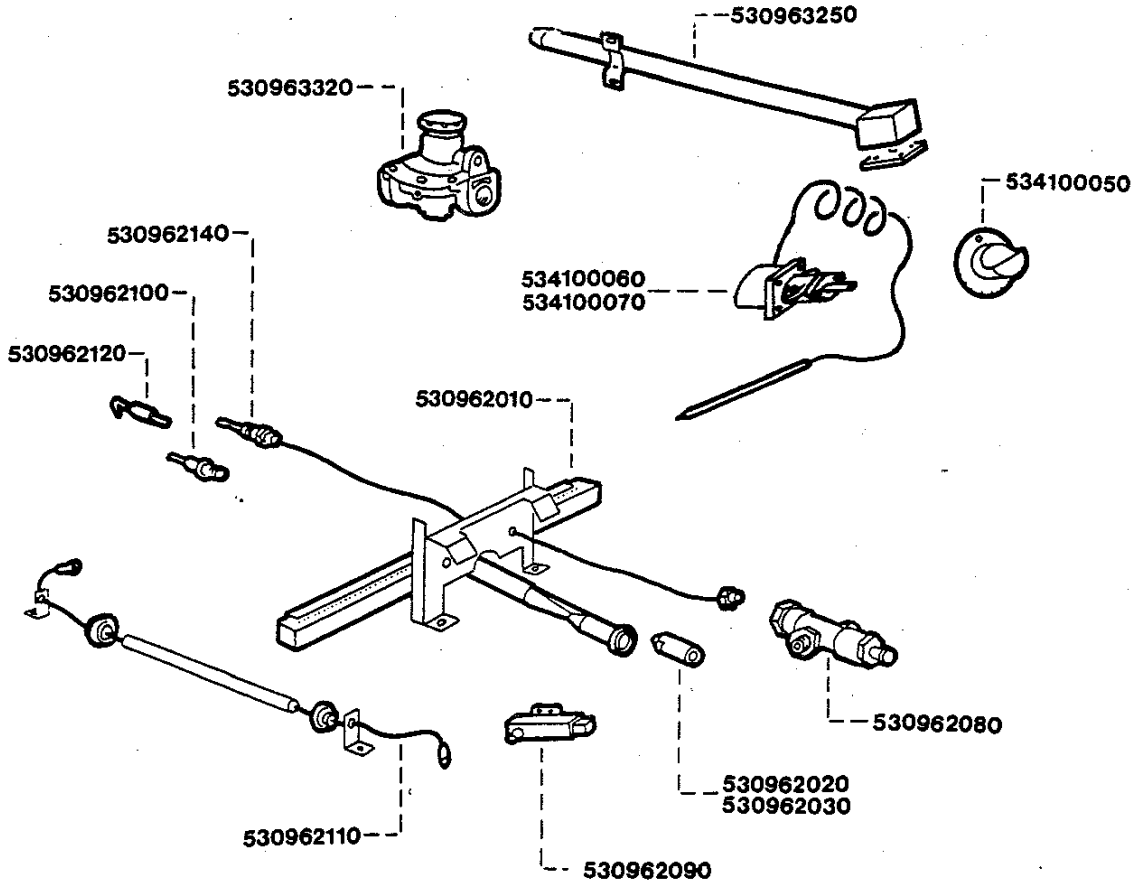
**Falcon Catering
Equipment**
Commercial and institutional
catering equipment



Falcon Catering Equipment is a
business name of
Glynwed Consumer & Building Products Ltd
a member of the
Glynwed International plc
group of companies

G1107 DOMINATOR MKII SERIES

Oven Pipework



534102070 - T'STAT MOUNTING PLATE
c/w GASKET
534102060 - MOUNTING PLATE SEAL
534102050 - T'STAT SEAL
534102100 - T'STAT ELBOW

Code	No.	Description
3F	530962010	Oven Burner
1B	530962020	Oven Injector — Nat. Gas
1B	530962030	Oven Injector — L.P. Gas
6B	530962070	Thermostat Knob
9F	530962080	Flame Failure Valve
9D	530962090	Igniter
8B	530962100	Electrode
3B	530962110	Electrode Lead Assembly
9B	530962120	Earth Pin
5C	530962140	Thermocouple
10D	530963250	Inlet Pipe Assembly c/w Gasket
1E	530963320	Governor
3G	534100060	Thermostat c/w Gasket — Nat. Gas
3G	534100070	Thermostat c/w Gasket — L.P. Gas

ROBERT SHAW

Sheet Reference Number

G1107/0288/007

**Falcon Catering
Equipment**
Commercial and institutional
catering equipment



Falcon Catering Equipment is a
business name of
Clywed Consumer & Building Products Ltd
a member of the
Clywed International plc
group of companies